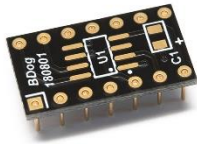


RC4739 Upgrade Adapter

BrownDog™ Electronic Component Adapters by Cimarron Technology



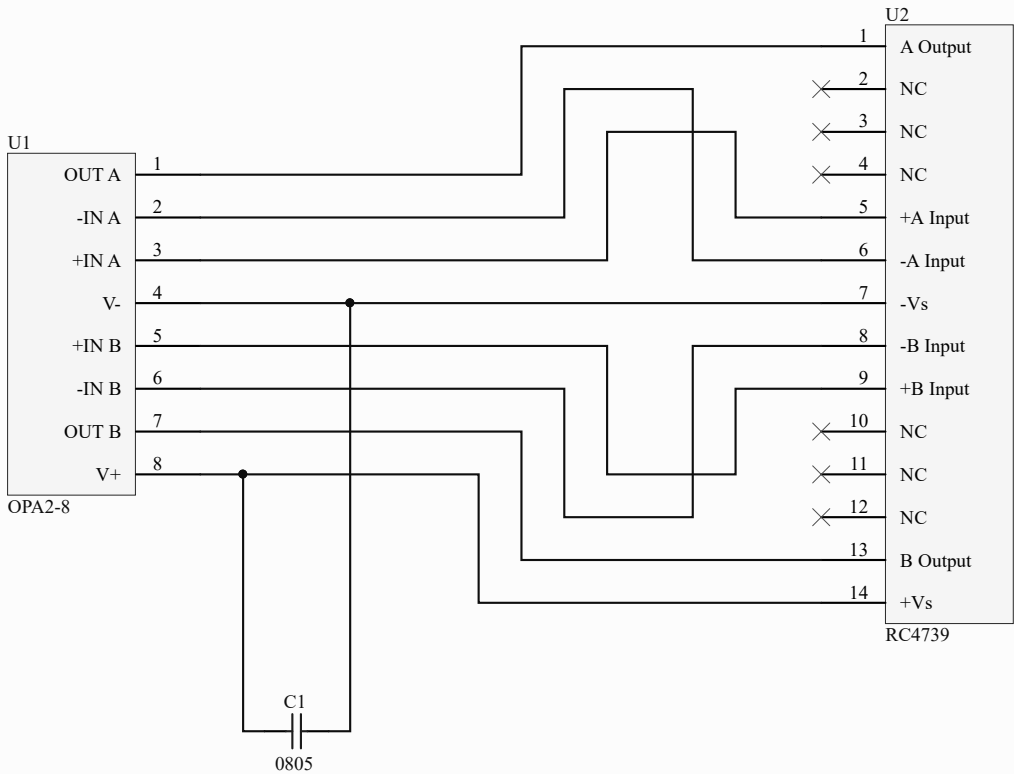
Model number	180801
Description	SOIC-8 dual op amp to RC4739 adapter
Board material	FR-4
Copper surface finish	ENIG

Dimensions

	U.S. Customary	Metric
Board outline (L by W)	0.700 in. by 0.400 in.	17.78 mm by 10.16 mm
SMD pitch	0.050 in.	1.27 mm
Pin pitch	0.100 in.	2.54 mm
Pin row spacing	0.300 in.	7.62 mm
Solder tail pin diameter	0.018 in.	0.457 mm

Part numbering

Part number	Description
180801-S	Standard solder tail pins installed, unpopulated
180801-S-[MPN]	Standard solder tail pins installed, populated with component [MPN=manufacturer's part number]
180801-N	No pins installed



Copyright 2022. Cimarron Technology, Inc.

This drawing is the property of Cimarron Technology, Inc. The information herein is not to be used except as expressly authorized by this company. Copies are not to be made without permission.

Title **RC4739 Upgrade Adapter**

Cimarron Technology, Inc.
372 S Eagle Rd, PMB 182
Eagle, ID 83616-5908
USA



Size: A Part Number: 180801 Revision: 2

Date: 3/13/2022 Time: 6:38:45 PM Sheet 1 of 1

Engineer: Eamonn T. Harter